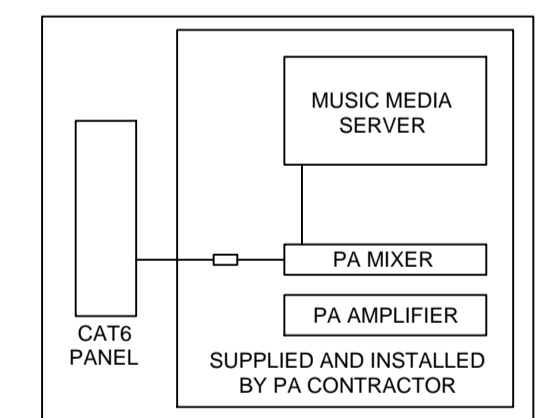


PUBLIC ADDRESS LEGEND

	200mm CEILING SPEAKER
	200mm CEILING SPEAKER CW INBUILT VOLUME CONTROL
	PENDANT SPEAKER SUSPENDED
	200mm SURFACE MOUNTED SPEAKER
	200mm SURFACE MOUNTED SPEAKER CW INBUILT VOLUME CONTROL
	10 WATTS HORN SPEAKER
	VOLUME CONTROL (WALL)
	MICROPHONE POINT
	ALARM CHIME BUTTON
	AMPLIFIER

PUBLIC ADDRESS NOTES

1. THE P.A. SYSTEM CONTRACTORS ARE TO LIAISE WITH THE ELECTRICAL CONTRACTOR REGARDING THE INSTALLATION OF CONCEALED CONDUITS / WALL BOXES & SPECIFIC POWER REQUIREMENTS.
2. THE MOUNTING HEIGHT OF THE MICROPHONE POINT AND VOLUME CONTROL OUTLETS ARE GENERALLY 1500mm AFFL. IN THE OFFICE AREA THE OUTLETS ARE TO BE MOUNTED ON WALL DUCTS.
3. ALL COMPONENTS, INCLUDING SPEAKERS, FLEX, CABLE TIES, ROSES, OUTLETS, MICROPHONE PLATES, WALL BOXES ETC. SHALL BE WHITE IN COLOUR. COMPONENTS AND CABLES TO BE BLACK WHEN MOUNTED ON DARK COLOURED CEILINGS AND WALLS.



KEY
 - - - - - CABLE INSTALLED BY PA CONTRACTOR
 □ LINE ISOLATED UNIT (LIU) BY PA CONTRACTOR

DATA, PA & BACKGROUND MUSIC HOOK-UP DIAGRAM

ELECTRICAL DESIGN GROUP BRISBANE PTY LTD
 ACN 092 710 793
 TRADING AS:
 ELECTRICAL DESIGN GROUP

THE COPYRIGHT OF THIS DRAWING REMAINS THE PROPERTY OF THE ELECTRICAL DESIGN GROUP.
 USE FIGURED DIMENSIONS IN PREFERENCE TO SCALE.
 ALL DIMENSIONS TO BE VERIFIED ONSITE.

ELECTRICAL DESIGN GROUP
 ELECTRICAL BUILDING SERVICES CONSULTANTS
 BRISBANE GOLD COAST

P.O. Box 15, Sherwood Q.4075
 Phone: (07) 3278 4375
 Email: brisbane@edg.net.au
 Web: www.edg.net.au

PROJECT:
PALM BEACH DAN MURPHYS

118 GOLD COAST HIGHWAY, PALM BEACH, GOLD COAST

B	TENDER	19/06/2023
REV:	DESCRIPTION:	DATE:

DRAWING:
ELECTRICAL SERVICES
DAN MURPHY'S PUBLIC ADDRESS LAYOUT

SCALE: 1:100	AT A1	PROJECT NO: C2582a	DRAWING NO: E06	REVISION: B
-----------------	-------	------------------------------	---------------------------	-----------------------