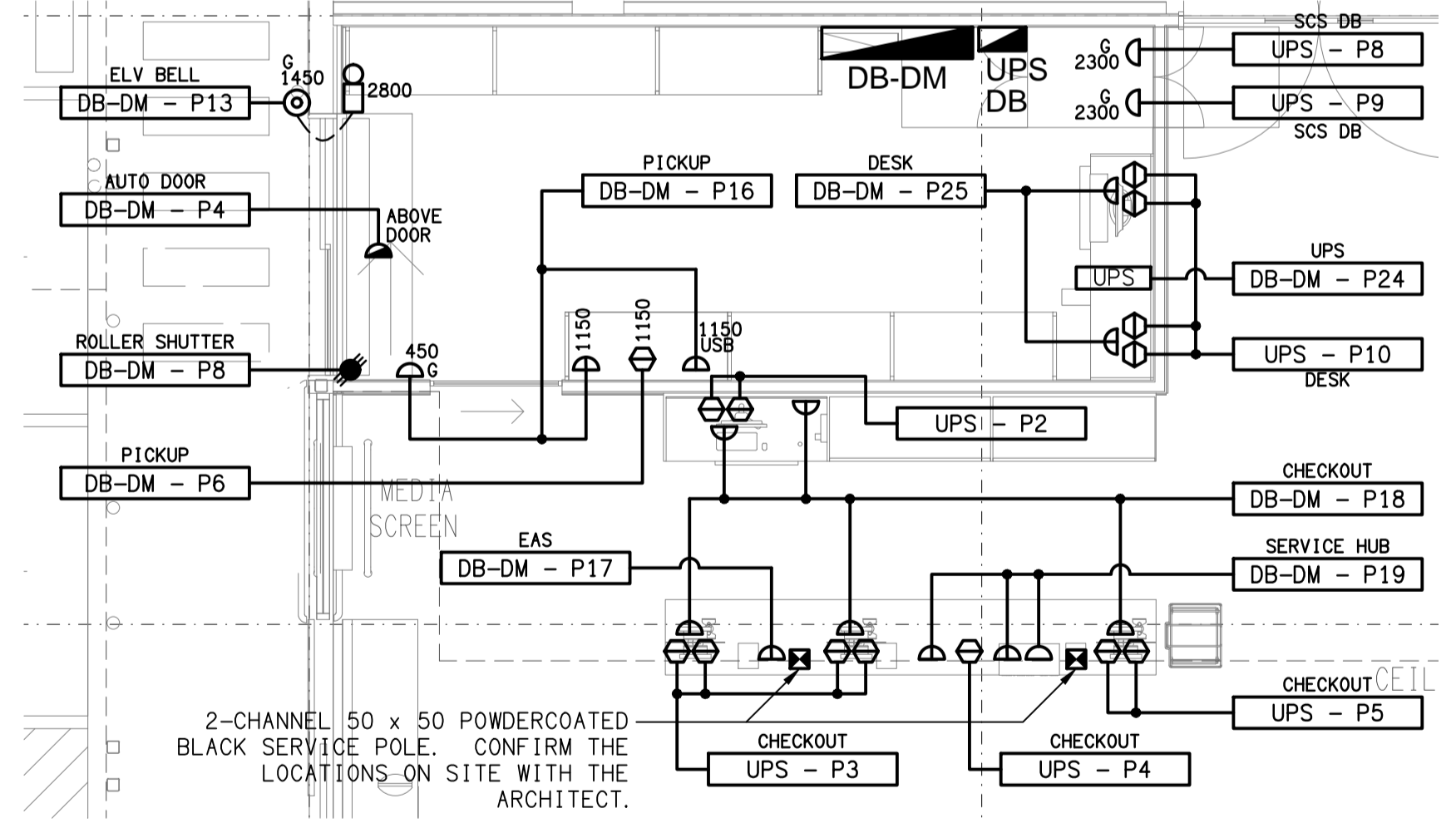
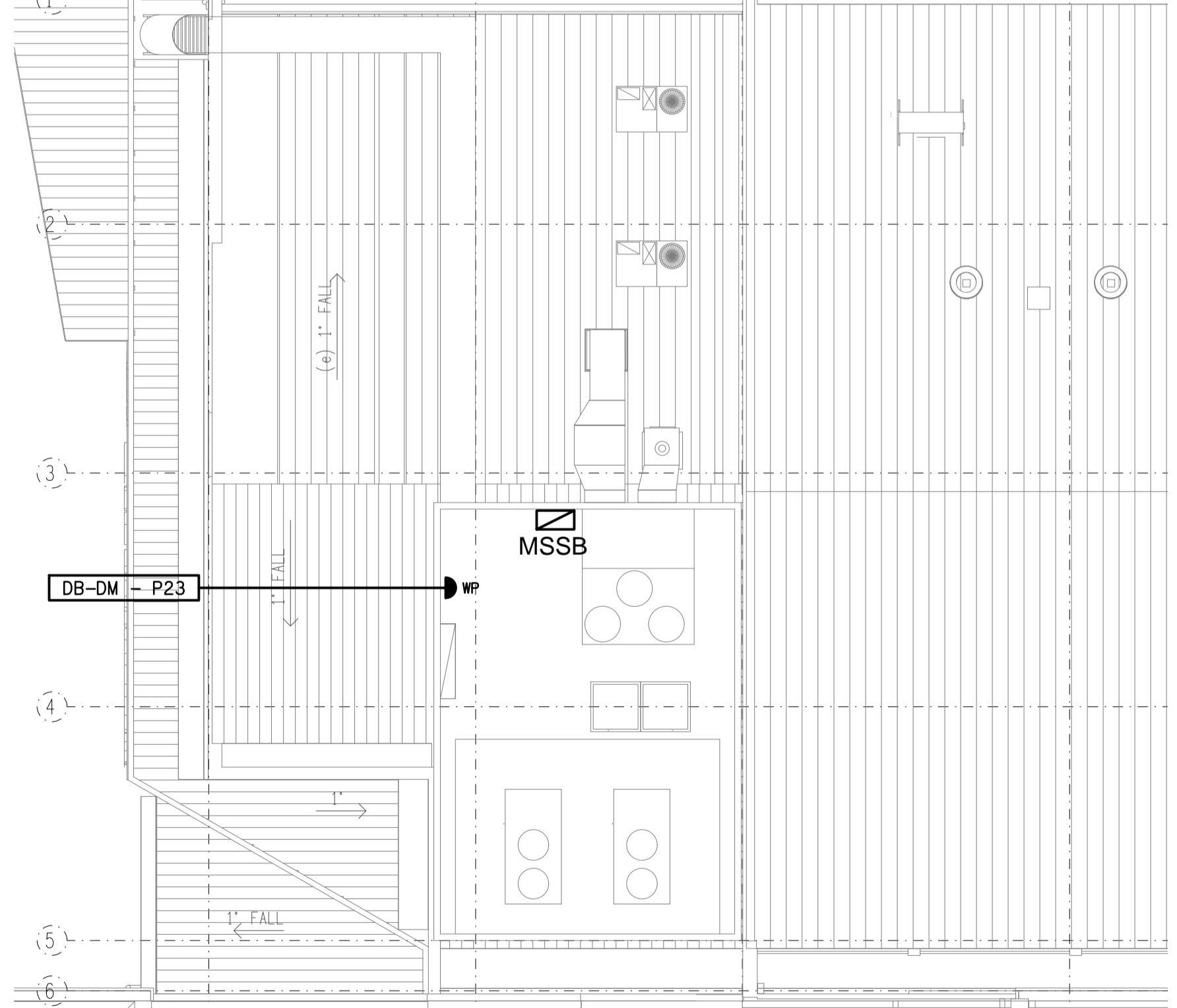


**DETAIL B**  
TEAM ROOM FLOOR PLAN  
SCALE 1:50



**DETAIL A**  
SERVICE HUB FLOOR PLAN  
SCALE 1:50



**ROOF PLANT PLAN**  
POWER LAYOUT  
SCALE 1:100

REMOTE DAN MURPHY'S STORAGE

ELECTRICAL DESIGN GROUP BRISBANE  
PTY LTD  
ACN 092 710 793  
TRADING AS:  
ELECTRICAL DESIGN GROUP

THE COPYRIGHT OF THIS DRAWING  
REMAINS THE PROPERTY OF THE  
ELECTRICAL DESIGN GROUP.  
USE FIGURED DIMENSIONS  
IN PREFERENCE TO SCALE.  
ALL DIMENSIONS TO BE  
VERIFIED ONSITE.

**ELECTRICAL DESIGN GROUP**  
ELECTRICAL BUILDING SERVICES CONSULTANTS  
BRISBANE GOLD COAST

P.O. Box 15, Sherwood Q. 4075  
Phone: (07) 3278 4375  
Email: brisbane@edg.net.au  
Web: www.edg.net.au

PROJECT:  
**PALM BEACH DAN MURPHYS**  
118 GOLD COAST HIGHWAY, PALM BEACH, GOLD COAST

B	TENDER	19/06/2023
REV:	DESCRIPTION:	DATE:

DRAWING:  
**ELECTRICAL SERVICES  
POWER LAYOUT**

SCALE: 1:100	AT A1	PROJECT NO: <b>C2582a</b>	DRAWING NO: <b>E03</b>	REVISION: <b>B</b>
-----------------	-------	------------------------------	---------------------------	-----------------------