

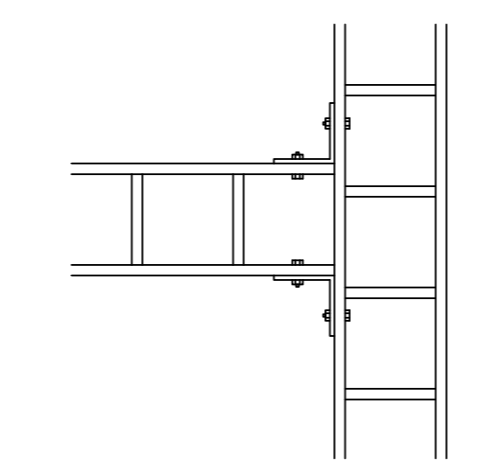
**LIGHTING NOTES**

- ELECTRICAL CONTRACTOR SHALL SUPPLY LIGHT FITTINGS FROM THE NOMINATED SUPPLIERS.
- ALL LIGHTING IS TO BE ON RCD PROTECTED CIRCUITS.
- ALL TRADING AREA LIGHTS TO BE ON EMS CONTROL. REFER TO BRP SINGLE LINE DIAGRAM FOR GUIDANCE.
- ALL DOWNLIGHTS, EMERGENCY FITTINGS, CEILING ROSES, FLEXPENDANTS, PA ITEMS AND SECURITY ITEMS ARE TO HAVE BLACK TRIM ON BLACK CEILING AND WHITE TRIM ON WHITE CEILING.
- ALL LIGHTING IS TO BE ON RCD PROTECTED CIRCUITS.
- NO MORE THAN 25 LED LIGHTS TO BE ALLOCATED TO ANY ONE LIGHT CIRCUIT IN ORDER TO REDUCE NUISANCE TRIPPING DUE TO ACCUMULATED DRIVER EARTH LEAKAGE.
- LIGHTING TRACKS WILL BE SUPPLIED IN 2 AND 3 METRE LENGTHS. THE ELECTRICAL CONTRACTOR IS TO CUT AND JOIN THESE LENGTHS AS REQUIRED.
- EMERGENCY LIGHTING AN EXIT SIGN DESIGN & INSTALLATION TO COMPLY WITH AS/NZS 2293.1:2018. EMERGENCY LIGHTING AND EXIT SIGNS SHALL NOT BE OBSTRUCTED BY OTHER SERVICES.
- FOR AREAS WHERE A MOVEMENT SENSOR IS SHOWN THEY ARE TO BE SWITCHED BY THE MOVEMENT SENSOR AND WALL SWITCH AS PER DETAIL BELOW. MOVEMENT SENSOR TO BE PLACED AT LEAST 2m AWAY FROM DOOR TO AVOID NUISANCE SWITCHING.
- WHERE POSSIBLE MOUNT STOCKROOM AND LOADING DOCK LIGHTS AT 4500mm OR AS HIGH AS POSSIBLE TO UNDERSIDE OF FITTING. TO BE INSTALLED UNDERNEATH SERVICES PREWORK AND CABLE LADDERS.
- LOADING DOCK WORK STATION LIGHT IS FED FROM LOADING DOCK CIRCUIT BUT SWITCHED LOCALLY.
- TRACK LIGHTS SHALL BE SUSPENDED USING BLACK GRIPPLE #1 'ANGEL' WIRE HANGERS SPACED AT A MAXIMUM OF 1800mm APART. SUSPEND TRACKS TO BE 4m LED TRACKS ON BOTH SIDES OF THE TRACK. WHERE TRACKS ARE LESS THAN 500mm IN LENGTH PLACE ONE WARNING LABEL ON BOTH SIDES. LABELS TO BE PROVIDED BY LIGHTING SUPPLIER.
- SIGNAGE SPOTLIGHTS ARE TO BE INSTALLED NOMINALLY AT 300 - 500mm ABOVE SIGN AND NOMINALLY 1200 - 1500mm FROM THE SIGN FACE SO AS TO ILLUMINATE THE SIGN WITHOUT CREATING GLARE FOR CUSTOMERS OR STAFF.
- ALL EXTERNAL LIGHT FITTINGS ARE TO BE SWITCHED BY A PE CELL AND OVERRIDDEN BY THE EMS.
- COOL ROOM EZY-STRUT LADDER SYSTEM TO BE SUSPENDED BENEATH COOLROOM CEILING ON BOCKER ROD HANGERS AT 3000 AFFL TO UNDERSIDE. EZY-STRUT LADDER RINGS ARE AT 330mm CENTRES. THE LADDER LAYOUT IS INDICATIVE AND CAN BE ALTERED TO EASE INSTALLATION OF CABLE RINGS, PROPRIETARY BENS AND TEE SECTIONS SHALL NOT BE USED JOINS AT TEE SECTIONS SHALL BE FIXED WITH GALVANISED ANGLE BRACKETS PAINTED BLACK.
- 50% OF TRADING AREA TRACK LIGHTS ARE TO BE ON GENERATOR SUPPLY. ARRANGE GENERATOR LIGHTING CIRCUITS TO ENABLE A REASONABLE LEVEL OF LIGHTING COVERAGE ACROSS ALL TRADE AREAS IN EVENT OF A MAINS POWER OUTAGE.
- ALLOW TEN (10) TRACK LIGHTS IN TRADE AREA AS 24HR SECURITY LIGHTS. LIGHTS ARE TO BE ON GENERATOR SUPPLIED TRACKS. PLACE LIGHTS AT LOCATIONS (OR THEREABOUTS) AS SHOWN ON THE LIGHTING LAYOUT.

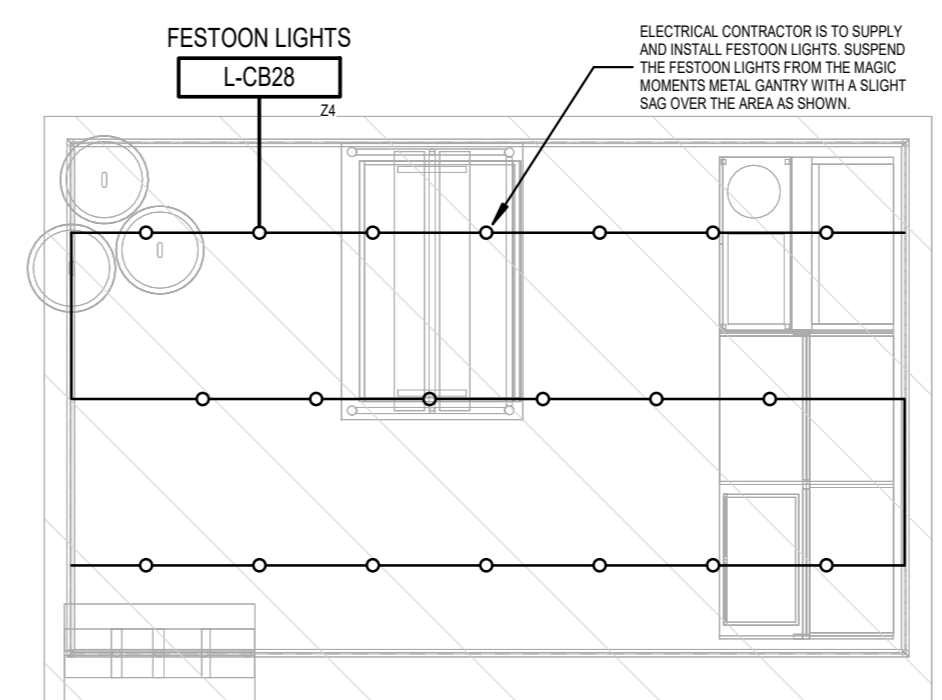
**LIGHTING LEGEND**

DESCRIPTION	SUPPLIER	CATALOG No.
40W LED BATTERY 4000K WHITE TRIM FROSTED DIFFUSER	TREND	28644
40W LED BATTERY WEATHERPROOF IMPACT RESISTANT 4000K IP65 SURFACE MOUNTED OR SUSPENDED	TREND	WP1201
40W LED BATTERY WEATHERPROOF IMPACT RESISTANT 4000K IP65 SURFACE MOUNTED OR SUSPENDED	TREND	WP1201-WALL BRACKETS
30W LED RECESSED TROFFER HIGH POWER 4000K FROSTED DIFFUSER FLEX & PLUG WHITE TRIM	TREND	20744
30W ADJUSTABLE RECESSED LED DOWNLIGHT 4000K WIDE BEAM WHITE TRIM FLEX & PLUG	TREND	30L354-W-B
10W RECESSED LED DOWNLIGHT 3000K CPAL DIFFUSER WIDE BEAM WHITE TRIM FLEX & PLUG	TREND	30S153-W-B-CPAL
30W LED SPOTLIGHT 3000K MEDIUM BEAM TRACK MOUNTED BLACK TRIM	TREND	XT0303-W-B
30W ADJUSTABLE TRACK MOUNTED LED WALL WASHER 3000K WIDE BEAM BLACK TRIM	TREND	27M033-W-B-B
WEATHERPROOF LED SPOTLIGHT COMPACT 3x 10W LED ADJUSTABLE 8.5 DEG. BEAM SPOTS LIGHTS MOUNTED ON TRACKS PLUG TO SUIT EZY-STRUT AL3030 CABLE LADDER 3000K BLACK TRIM BLACK PVC ENCLOSURE TO HOUSE CONTROL GEAR	TREND	XDC153-W-B-TR-FP
WEATHERPROOF ADJUSTABLE HULL DOWN 30W LED SPOTLIGHT 3000K MEDIUM BEAM TRACK MOUNTED BLACK TRIM PLUG TO SUIT EZY-STRUT AL3030 CABLE LADDER 3000K BLACK TRIM BLACK PVC ENCLOSURE TO HOUSE CONTROL GEAR	TREND	3RS253-W-B-TR-FP
LINEAR LED EXTENSION WITH FROSTED OPAL DIFFUSER 3000mm LONG WHITE FLEX & PLUG	TREND	2D4133-3000mm
800mm LONG PELMET LIGHT 4000K WHITE FINISH 3000mm LONG WHITE FLEX & PLUG	TREND	XTV335 - DM - 4K (800mm LENGTH)
1000mm LONG PELMET LIGHT 4000K WHITE FINISH 3000mm LONG WHITE FLEX & PLUG	TREND	XTV335 - DM - 4K (1000mm LENGTH)
10W 15W LED ADJUSTABLE IP65 FLOODLIGHT 4000K 150 DEGREE BEAM BLACK FINISH COMPLETE WITH 800mm BLACK GALVANISED EXTENSION ARM	ANL	FLOODLIGHT 15W/10W/40W EXTENSION ARM 150°-800
HEAVY DUTY IP64 FESTOON LIGHTS BLACK COPED AND LAMP HOLDER 2x G247 230V GMS WITH 3-PIN PLUG GLOBE TO BE 4W LED T8 TORCHER EDISON G247 TYPE 2000K WARM WHITE GLOBE	MR	https://www.mrsupplylights.com.au/shop/2000k-warm-white-globe/
6W/8W LIGHTING TRACK BLACK FINISH SUPPLY COMPLETE WITH LED LIGHTING TRACK 1.75M LENGTH LADDER RINGS ARE AT 330mm CENTRES	CONTACT SUPPLIER	EZY-STRUT
EZY-STRUT AL3030 BLACK SPECIAL LADDER SYSTEM FOR DAN MURPHY'S	EZY-STRUT	EZY-STRUT
LIGHT SWITCH 1-WAY IP65 CHEMICAL RESISTANT WHITE	CLPSAL	CLPSAL
LIGHT SWITCH 2-WAY IP65 CHEMICAL RESISTANT WHITE	CLPSAL	CLPSAL
MOTION SENSOR LIGHT GREY IP65 IMPACT RESISTANT GY1	CLPSAL	730 SERIES OR T5R (SURFACE MTD) OR T5R (RECESSED)
MOTION SENSOR LIGHT WHITE (DIRECTIONAL OR 300°)	CLPSAL	730 SERIES OR T5R (SURFACE MTD) OR T5R (RECESSED)
DIRECTION OF ADJUSTABLE SPOTLIGHT FITTING	LIGHTING SUPPLIER CONTACT	TEL: (02) 9699 8888
ADJUSTABLE SPOTLIGHT POINTING STRAIGHT DOWN	LIGHTING SUPPLIER CONTACT	TEL: (02) 9699 8888
24HR SECURITY LIGHT FITTING ON GENERATOR SUPPLY	LIGHTING SUPPLIER CONTACT	TEL: (02) 9699 8888

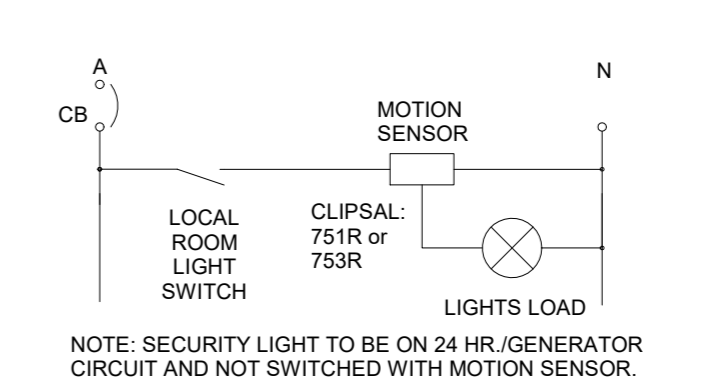
**EZY-STRUT DETAIL**  
1:25



**MAGIC MOMENTS FESTOON DETAIL**  
1:50



**TYPICAL MOTION SENSOR LIGHT SWITCHING**  
NTS



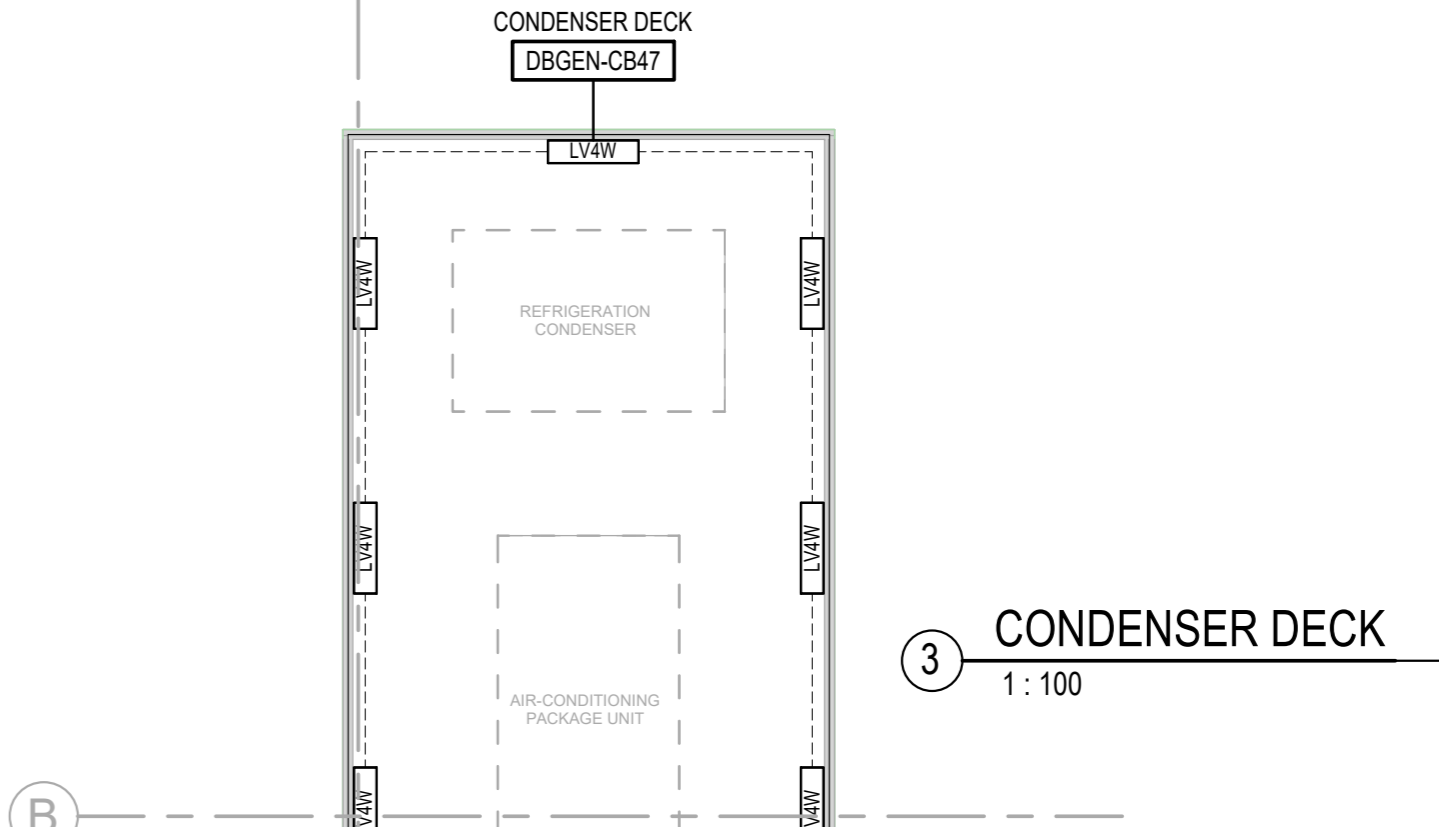
**EMERGENCY LIGHTING LEGEND**

DESCRIPTION	SUPPLIER	CATALOG No.
NON MAINTAINED LED SURFACE MOUNTED SINGLE POINT EMERGENCY LIGHT LITHIUM ION PHOSPHATE BATTERY WITH CLEVEREST PLUS SYSTEM	CLEVERESTRONICS	CLFE-SMS
NON MAINTAINED LED RECESSED MOUNTED EMERGENCY LIGHT LITHIUM ION PHOSPHATE BATTERY WITH CLEVEREST PLUS SYSTEM	CLEVERESTRONICS	CLFE
LED EMERGENCY EXIT SIGN WITH RUNNING MAN PICTOGRAM - DIFFUSER AND DIRECTION ARROW	CLEVERESTRONICS	COFLD (DIRECTION SITE CONFIGURED)
LED EMERGENCY EXIT SIGN WITH RUNNING MAN PICTOGRAM - DIFFUSER AND DIRECTION ARROW	CLEVERESTRONICS	COFLD (DIRECTION SITE CONFIGURED)
LED EMERGENCY EXIT SIGN WITH RUNNING MAN PICTOGRAM - DIFFUSER AND DIRECTION ARROW	CLEVERESTRONICS	COFLD (DIRECTION SITE CONFIGURED)

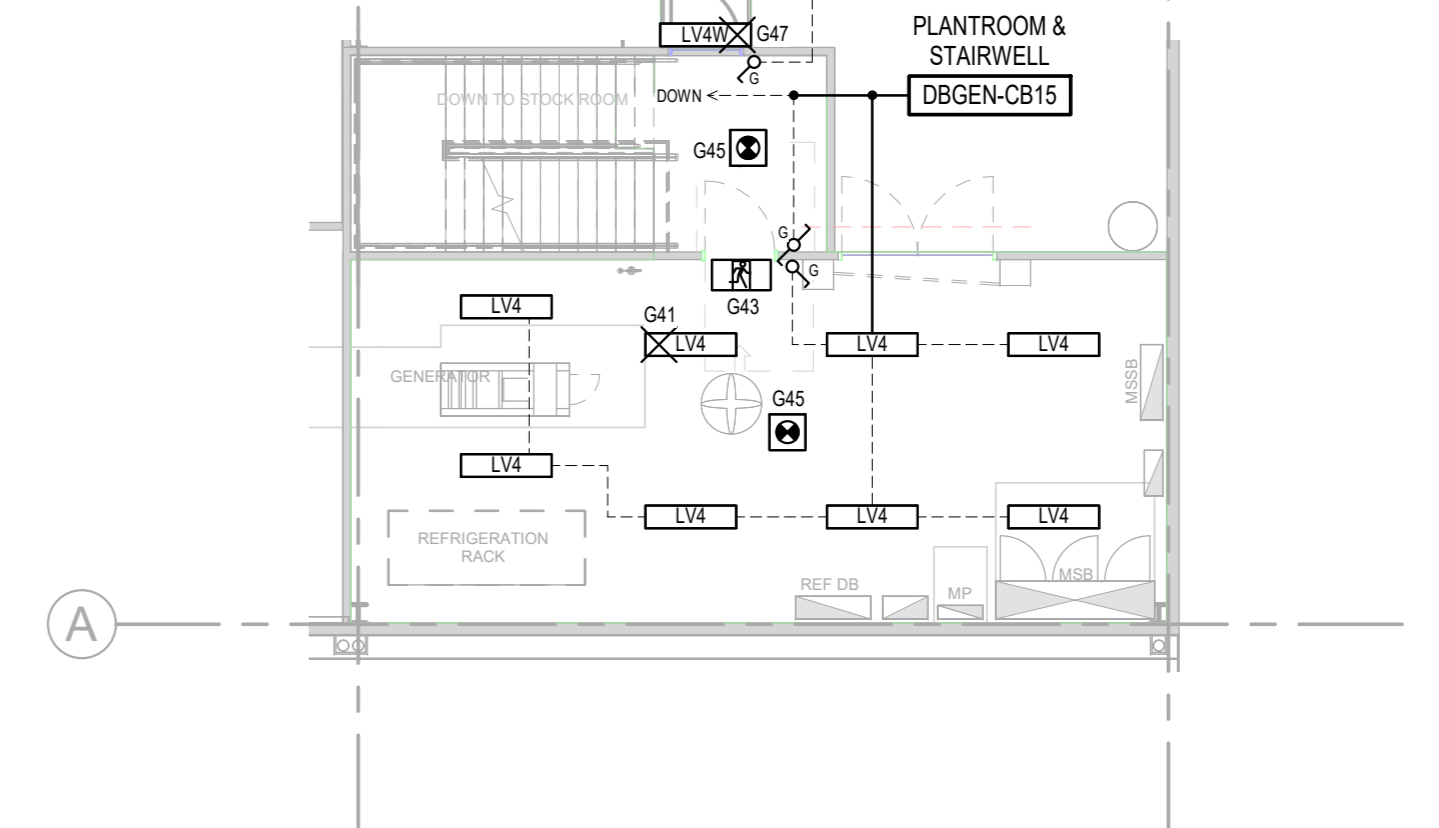
**NOTES**

- LIGHTS DESIGNATED WITH A "VP" ARE TO BE WEATHERPROOF TYPE SUITABLE FOR INSTALLATION IN COOLROOMS (MINIMUM OPERATING TEMPERATURE 0°C)
- ALL EMERGENCY AND EXIT LIGHTS SHALL BE DUAL RATE CHARGE AND FITTED WITH A BATTERY
- FITTING TRIM COLOUR & GRIPPLE WIRE TO CLOSELY MATCH CEILING COLOUR. I.E. BLACK TRIM FOR DARK COLOURED CEILINGS. WHITE TRIM FOR LIGHTER COLOURED CEILINGS.
- ELECTRICAL CONTRACTOR TO PERFORM THE FOLLOWING WORKS IN READINESS FOR COMMISSIONING OF THE CLEVEREST PLUS SYSTEM BY THESE:
  - COMPLETE A FITTING REGISTER IN ACCORDANCE WITH AS/NZS 2293 AND ENSURE THE FOLLOWING INFORMATION IS RECORDED:
    - SERIAL NUMBER FROM THE QR CODE LABEL OF THE CLEVERESTRONICS LP FITTING THE QR CODE SHOULD BE ADHERED TO THE REGISTER NEXT TO THE CORRECT FITTING.
    - FITTING ID
    - LOCATION
    - SWITCHING AND CIRCUIT DETAILS
    - PRODUCT INSTALLATION DATE OF EVERY INSTALLED FITTING
  - EACH FITTING SHALL BE LABELLED WITH AN ANGLE FITTING ID LABEL IN A LOCATION VISIBLE FROM FLOOR LEVEL. LABEL TYPE PER WORKWORTH SPECIFICATION.
  - PROVIDE AN AS BUILT EMERGENCY LIGHTING LAYOUT DRAWING WITH FITTING LOCATIONS HIGHLIGHTED AND MARKED WITH THE UNIQUE FITTING ID NUMBER.
  - LEAVE A HARD COPY OF ALL DOCUMENTATION IN A SUITABLE SAFE LOCATION IN THE PLANT ROOM OR SWITCHBOARD LOCATION.

**CONDENSER DECK**  
1:100



**PLANTROOM**  
1:100

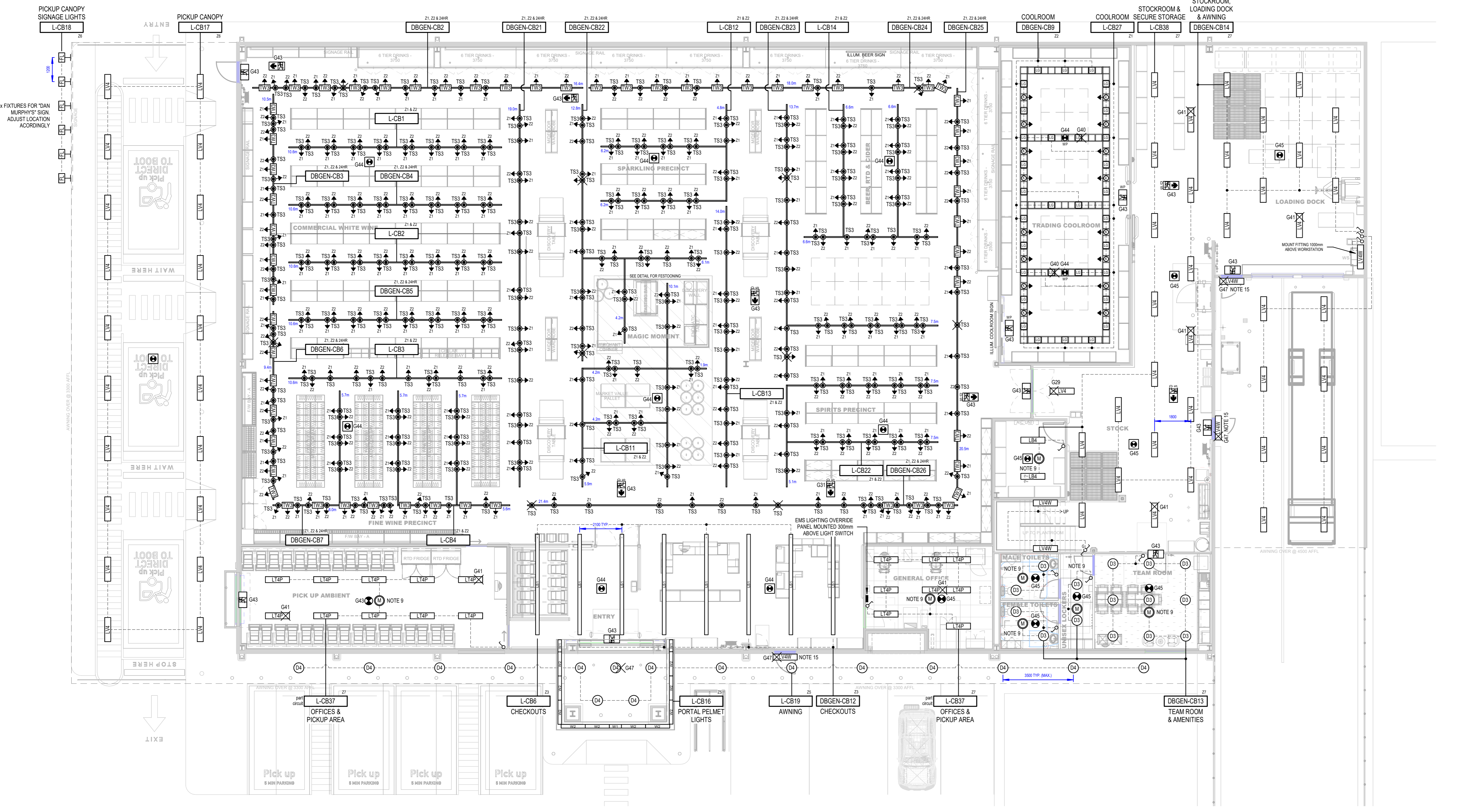


**CONDENSER DECK**  
1:100

**CIRCUIT DESIGNATION**

- SECURITY LIGHTING CIRCUIT DESIGNATION  
 101 = FED FROM DBGEN  
 208 = CIRCUIT/CIRCUIT BREAKER NUMBER
- EMERGENCY LIGHTING CIRCUIT DESIGNATION AND FITTING ID  
 101 = FED FROM DBGEN  
 302 = CIRCUIT/CIRCUIT BREAKER NUMBER
- EXIT LIGHTING CIRCUIT DESIGNATION AND FITTING ID  
 101 = FED FROM DBGEN  
 311 = CIRCUIT/CIRCUIT BREAKER NUMBER
- LIGHTING CIRCUIT DESIGNATION  
 L-CB144 = ENERGY MANAGEMENT SYSTEM (EMS) ZONE ALLOCATION  
 208 = CIRCUIT/CIRCUIT BREAKER NUMBER  
 1 = DISTRIBUTION SECTION

**GROUND FLOOR**  
1:100



**COMPANY DETAILS**  
 Endeavour Group Limited  
 100 Pitt Street, Sydney NSW 2000  
 Endeavour Group Pty Ltd  
 100 Pitt Street, Sydney NSW 2000  
 Endeavour Group Pty Ltd  
 100 Pitt Street, Sydney NSW 2000

**REV. REVISION DETAILS**  
 A FIRST ISSUE

**DATE**  
20/10/21

**BY**  
CT

**PROJECT ADDRESS:**  
LEVEL 1, 26 WATERLOO STREET, SURRY HILLS NSW

**DRAWING NAME:**  
LIGHTING CONCEPT LAYOUT

**SCALE:**  
As indicated @ A3

**DRAWN BY:** CT  
**ISSUE TO:** EDG

**APPROVED BY:**  
ENDEAVOUR GROUP

**DOC STAGE:** DA200 / FITOUT  
**PROJECT:** 2022 KIT

**KIT VERSION:** DM 2022 KIT  
**STORE NO.:** 0000

**DRAWING NO.:** DME601  
**REVISION:** A