

**LEGEND**

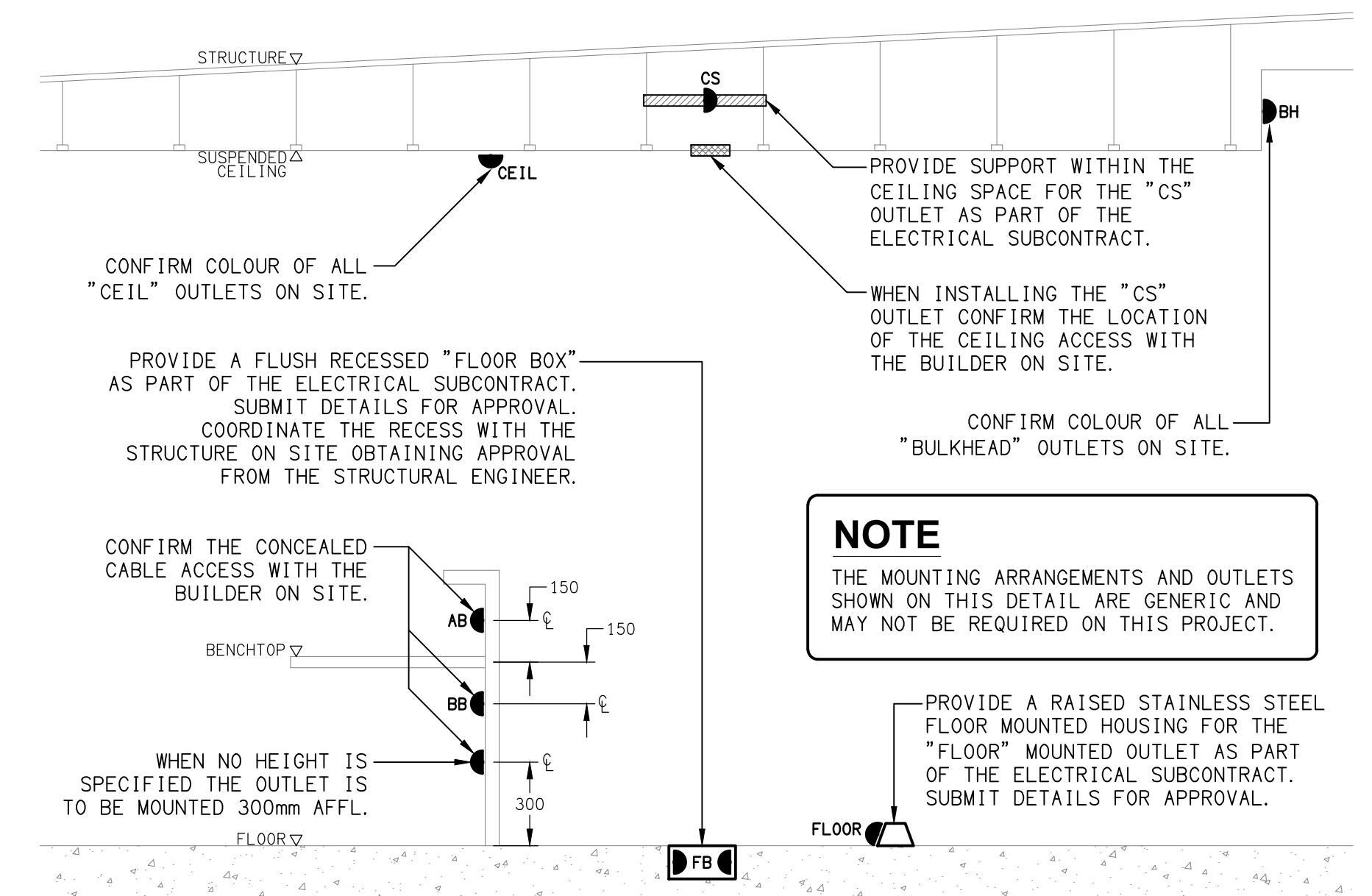
- ELECTRICAL SERVICES SWITCHBOARD.
- SWITCHBOARD / CONTROL PANEL NOT PROVIDED AS PART OF THE ELECTRICAL SUBCONTRACT.
- SINGLE POWER OUTLET.
- DOUBLE POWER OUTLET.
- USB DOUBLE POWER C/W INTEGRAL USB CHARGERS.
- DOUBLE LOUVRE POWER OUTLET. MOUNTING HEIGHT TO BE CONFIRMED BY LOUVRE SUPPLIER ON SITE.
- SPECIAL PURPOSE POWER OUTLET.
- SINGLE PHASE ISOLATOR.
- THREE PHASE ISOLATOR.
- SIGNAGE OUTLET.
- CABLE TRAY / LADDER, TYPE AS NOTED.
- CONDUIT ROUTE.
- CONDUIT ACCESS POINT.
- ELECTRICAL PIT, TYPE AS NOTED.
- ELECTRICAL FLOOR BOX, TYPE AS NOTED.
- ELECTRICAL TABLE BOX.
- HAND DRYER CONNECTION.
- LIGHTING PRESENCE DETECTOR SWITCH.
- LIGHTING CONTROL SWITCH PANEL, TYPE AS NOTED.
- ONE-WAY LIGHT SWITCH.
- TWO-WAY LIGHT SWITCH.
- CEILING FAN SPEED CONTROLLER (FSC).
- CIRCUIT LINE.
- SWITCH LINE.
- POWER CIRCUIT DESIGNATION. DENOTES DB AND CIRCUIT.
- LIGHTING CONTROL CHANNEL REFERENCE.
- ELECTRICAL EQUIPMENT AS NOTED.
- RJ45 COMMUNICATIONS OUTLET.
- RJ45 COMMUNICATIONS OUTLET C/W RECESS KIT.
- CCTV OUTLET.
- LIFT INTERFACE MODULE.
- ACCESS CONTROL GATE INTERFACE.
- ACCESS CONTROL CARD READER.
- ACCESS CONTROL DOOR ELECTRIC STRIKE.
- SECURITY DIRECTIONAL MOTION DETECTOR.
- HORN / HOOTER.
- RECESSED SPEAKER, UNLESS NOTED OTHERWISE.
- FIRE SMOKE DETECTOR.
- FIRE EVACUATION SPEAKER.
- FIRE DOOR HOLDER.

**LEGEND**

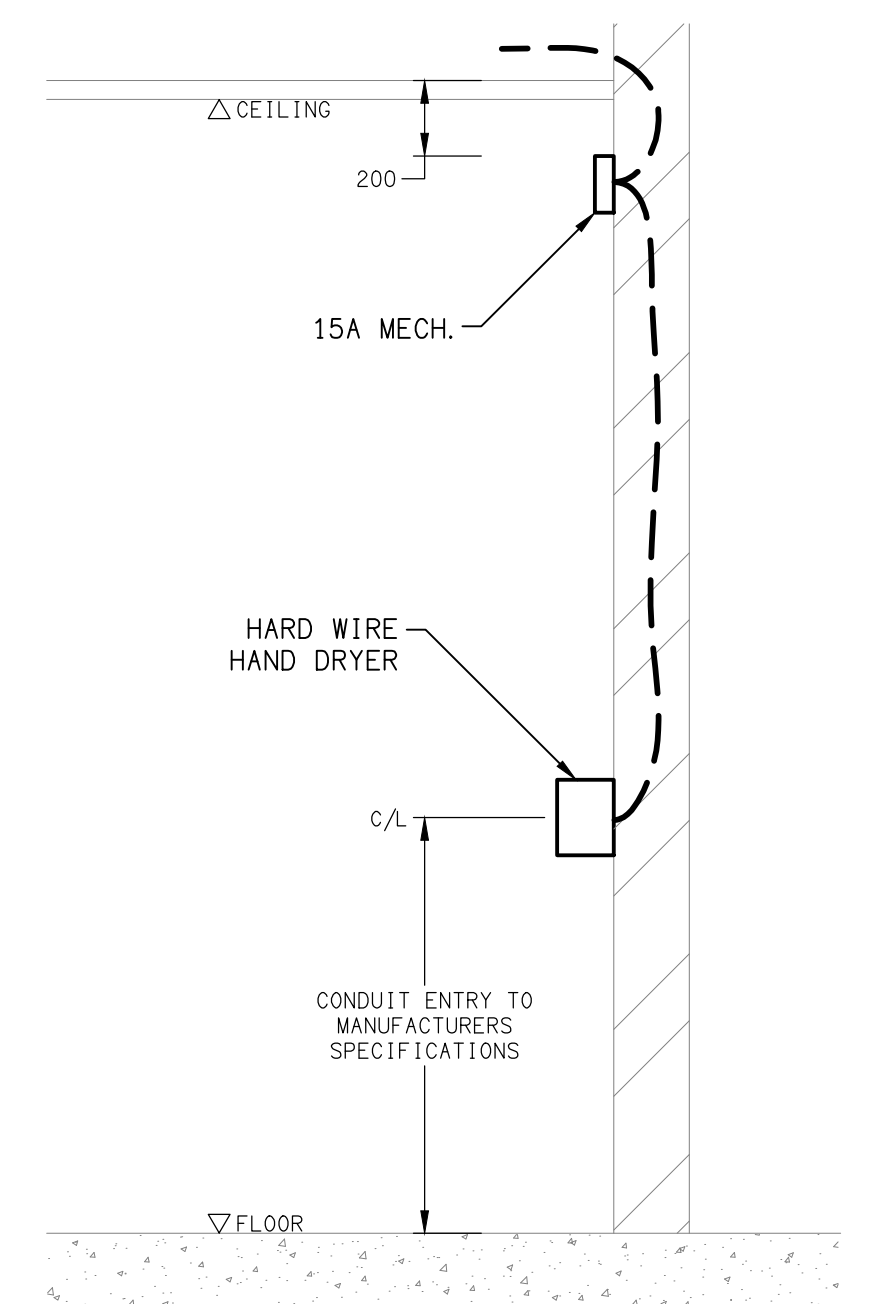
- FIRE EVACUATION HORN.
- FIRE INDICATOR PANEL, TYPE AS NOTED.
- ENERGEX METER.
- MAXIMUM DEMAND INDICATORS.
- FUSE.
- SINGLE PHASE.
- THREE PHASE.
- CURRENT TRANSFORMER C/W REMOVABLE LINK.
- FUSE LINK.
- COMBINED FUSE SWITCH.
- CIRCUIT BREAKER.
- ISOLATOR.
- RESIDUAL CURRENT DEVICE.
- CONTACTOR - NORMALLY OPEN.
- CONTACTOR - NORMALLY CLOSED.
- REFER TO DETAIL NOTED FOR THE AREA SHOWN HATCHED. ADDITIONAL OUTLETS & FITTINGS MAY BE SHOWN ON DETAIL.
- SM: DENOTES OUTLET / FITTING TO BE SURFACE MOUNTED.
- E1: GENERAL LED EMERGENCY LIGHT.
- EX: EMERGENCY LED EXIT LIGHT.
- EX WP: WEATHERPROOF EMERGENCY LED EXIT LIGHT.
- F1: CLASSROOM CEILING FAN.
- F2: CIRCULATION CEILING FAN.
- Lx: LIGHT FITTING C/W NON-MAINTAINED EMERGENCY BATTERY PACK. TYPE AS NOTED.
- L1: 3300 LUMEN 600 x 600 T-BAR FLAT PLATE FITTING.
- L2: 3300 LUMEN 600 x 600 PLASTERBOARD FLAT PLATE FITTING.
- L3: RECESSED DOWNLIGHT.
- L4: RECESSED DOWNLIGHT.
- L5: RECESSED LINEAR STRIP LIGHT. 3400 + 33600 + 2600 LENGTHS.
- L6: RECESSED LINEAR STRIP LIGHT. 11000 + 34000 LENGTHS.
- L7: 2500 LUMEN 600 x 600 T-BAR FLAT PLATE FITTING.
- L8: RECESSED DOWNLIGHT.
- L9: 8600 LONG SURFACE MOUNTED LINEAR LED STRIP LIGHT.
- L10: 2500 LUMEN RECESSED DOWNLIGHT.
- L11: RECESSED LINEAR STRIP LIGHT. 6800 + 3900 LENGTHS.
- L12: 2500 LUMEN ADJUSTABLE RECESSED DOWNLIGHT.
- L13: LED STRIP LIGHT MOUNTED UNDER THE OVERHEAD CUPBOARD.
- L14: 5000 LUMEN SURFACE CAN DOWNLIGHT.
- L15: 7000 LUMEN 90-DEG SURFACE MOUNTED POOL DOWNLIGHT.
- L16: 1200 LONG UNSWITCHED IP66 NON-MAINTAINED SURFACE MOUNTED EMERGENCY LIGHT.

**LEGEND**

- L17: 1200 LONG SURFACE MOUNTED IP66 BATTEN C/W INTEGRAL SENSOR.
- L18: 1500 LUMEN RECESSED POOL DOWNLIGHT.
- L19: 2500 LUMEN SURFACE CAN DOWNLIGHT.
- L20: 2500 LUMEN 600 x 600 PLASTERBOARD FLAT PLATE FITTING.
- L21: RECESSED DOWNLIGHT.
- L22: RECESSED DOWNLIGHT.
- L23: 1200 LONG SURFACE MOUNTED IP56 BATTEN.



**DETAIL**  
TYPICAL OUTLET MOUNTINGS  
NOT TO SCALE



**DETAIL**  
HAND DRYER CONNECTION  
NOT TO SCALE

ELECTRICAL DESIGN GROUP BRISBANE  
PTY LTD  
ACN 092 710 793  
TRADING AS:  
ELECTRICAL DESIGN GROUP

THE COPYRIGHT OF THIS DRAWING  
REMAINS THE PROPERTY OF THE  
ELECTRICAL DESIGN GROUP.  
USE FIGURED DIMENSIONS  
IN PREFERENCE TO SCALE.  
ALL DIMENSIONS TO BE  
VERIFIED ONSITE.

**ELECTRICAL DESIGN GROUP**  
ELECTRICAL BUILDING SERVICES CONSULTANTS  
BRISBANE GOLD COAST

P.O.Box 15, Sherwood Q.4075  
Phone: (07) 3278 4375  
Email: brisbane@edg.net.au  
Web: www.edg.net.au

PROJECT:  
**ST JOHN'S ANGLICAN COLLEGE  
FOREST LAKE  
AQUATIC CENTRE STAGE 1  
COLLEGE AVENUE, FOREST LAKE**

C	TENDER	17/05/2024
REV:	DESCRIPTION:	DATE:

DRAWING:  
**ELECTRICAL SERVICES  
LEGEND & DETAILS**

SCALE:  
NOT TO SCALE AT A1

PROJECT NO:  
**C3120a**

DRAWING NO:  
**E01**

REVISION:  
**C**