

OFFICE USE ONLY:  
 MARKUP:      DRAFT:      CHECK:

ELECTRICAL DESIGN GROUP BRISBANE  
 P.O. Box 15, Sherwood Q.4075  
 Phone: (07) 3278 7933  
 Fax: (07) 3278 7933  
 TRADING AS  
 ELECTRICAL DESIGN GROUP

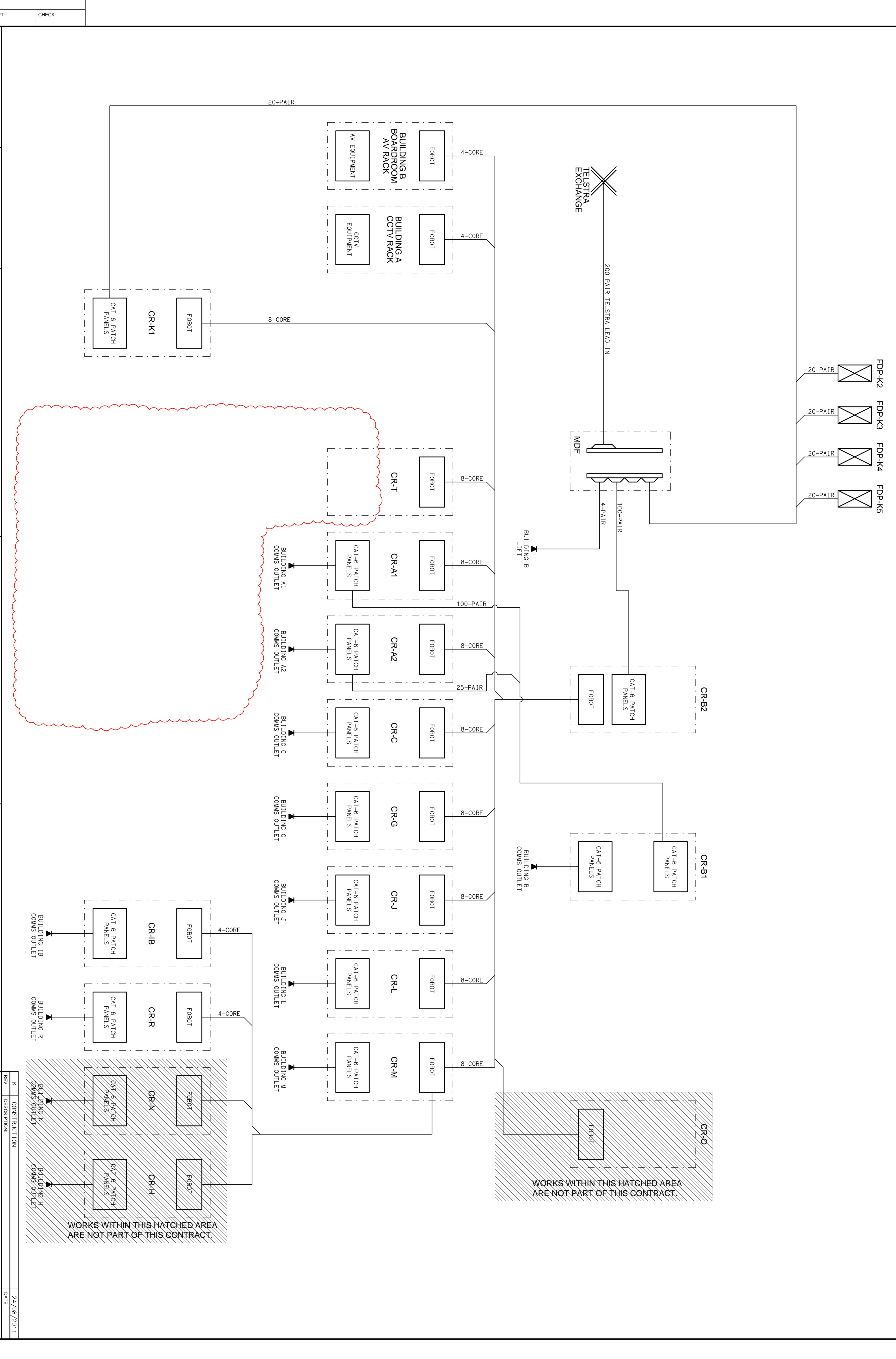
THE COPYRIGHT OF THIS DRAWING  
 REMAINS THE PROPERTY OF THE  
 ELECTRICAL DESIGN GROUP.  
 USE FIGURED DIMENSIONS  
 IN PREFERENCE TO SCALE.  
 ALL DIMENSIONS TO BE  
 VERIFIED ONSITE.

**ELECTRICAL DESIGN GROUP**  
 BRISBANE  
 P.O. Box 15, Sherwood Q.4075  
 Phone: (07) 3278 4975  
 Fax: (07) 316 0222

**ELECTRICAL BUILDING SERVICES CONSULTANTS**  
 GOLD COAST  
 P.O. Box 4216, Ashmore Q.4214  
 Phone: (07) 5587 7551  
 Fax: (07) 5587 7552

PROJECT:  
**RSPCA - WACOL**  
 WACOL STATION ROAD, WACOL

DRAWING:  
**ELECTRICAL SERVICES COMMUNICATIONS SCHEMATICS**  
 SCALE:  
 NOT TO SCALE AT A1  
 PROJECT NO:  
**C0677a**  
 DRAWING NO:  
**E17**  
 REVISION:  
**K**



| REV. | DESCRIPTION  | DATE       |
|------|--------------|------------|
| K    | CONSTRUCTION | 24/08/2011 |