

ELECTRICAL DESIGN GROUP BRISBANE
 PTY LTD
 400/402/710/793
 TRADING AS
 ELECTRICAL DESIGN GROUP

THE COPYRIGHT OF THIS DRAWING
 REMAINS THE PROPERTY OF THE
 ELECTRICAL DESIGN GROUP.
 USE FIGURED DIMENSIONS
 IN PREFERENCE TO SCALE.
 ALL DIMENSIONS TO BE
 VERIFIED ON SITE.

ELECTRICAL DESIGN GROUP
 BRISBANE
 P.O. Box 15, Sherwood Q.4075
 Phone: (07) 3716 4375
 Fax: (07) 3716 0222

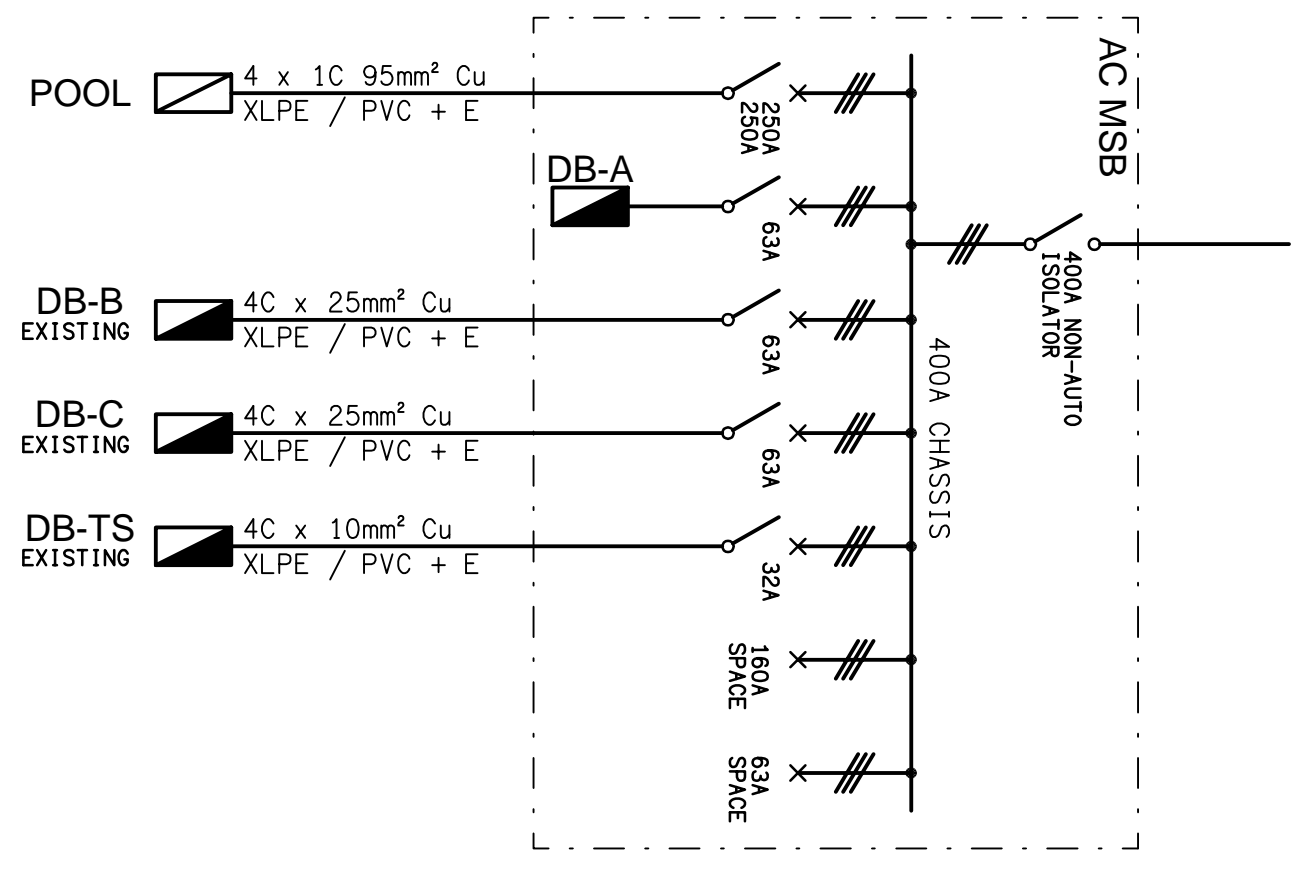
ELECTRICAL DESIGN GROUP
 ELECTRICAL COMMUNICATIONS FIRE SYSTEMS DESIGNERS
 BRISBANE
 P.O. Box 15, Sherwood Q.4075
 Phone: (07) 3716 4375
 Fax: (07) 3716 0222

PROJECT:
ANGLICAN CHURCH GRAMMAR SCHOOL
AQUATIC CENTRE
 OAKLANDS PARADE, COORPAROO

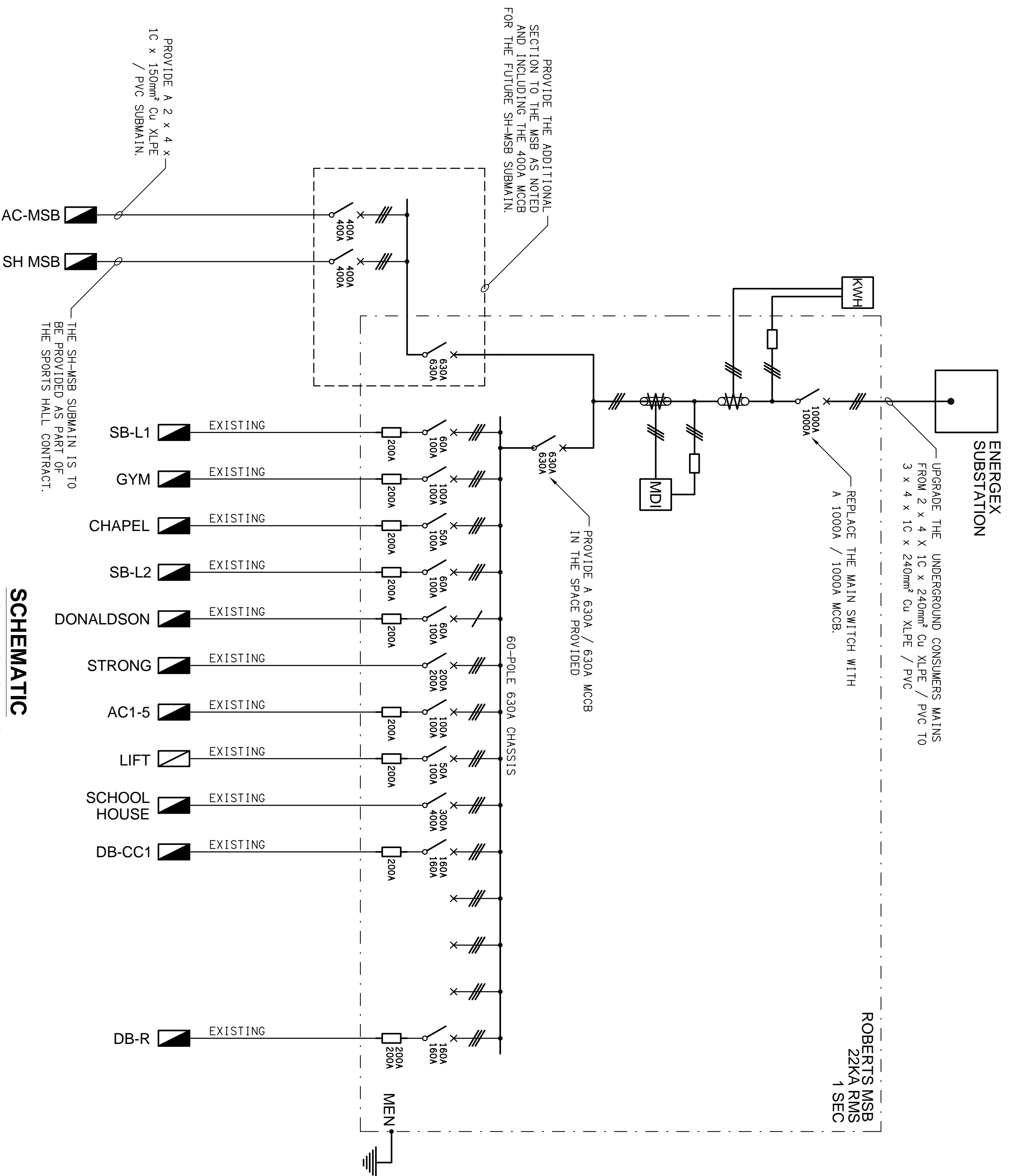
DRAWING:
ELECTRICAL SERVICES
SCHEMATICS & DETAILS
 SCALE:
 AS SHOWN AT A1
 PROJECT NO:
C0616a DRAWING NO:
E03 REVISION:
C

REV: DESCRIPTION: DATE: 10/12/2009

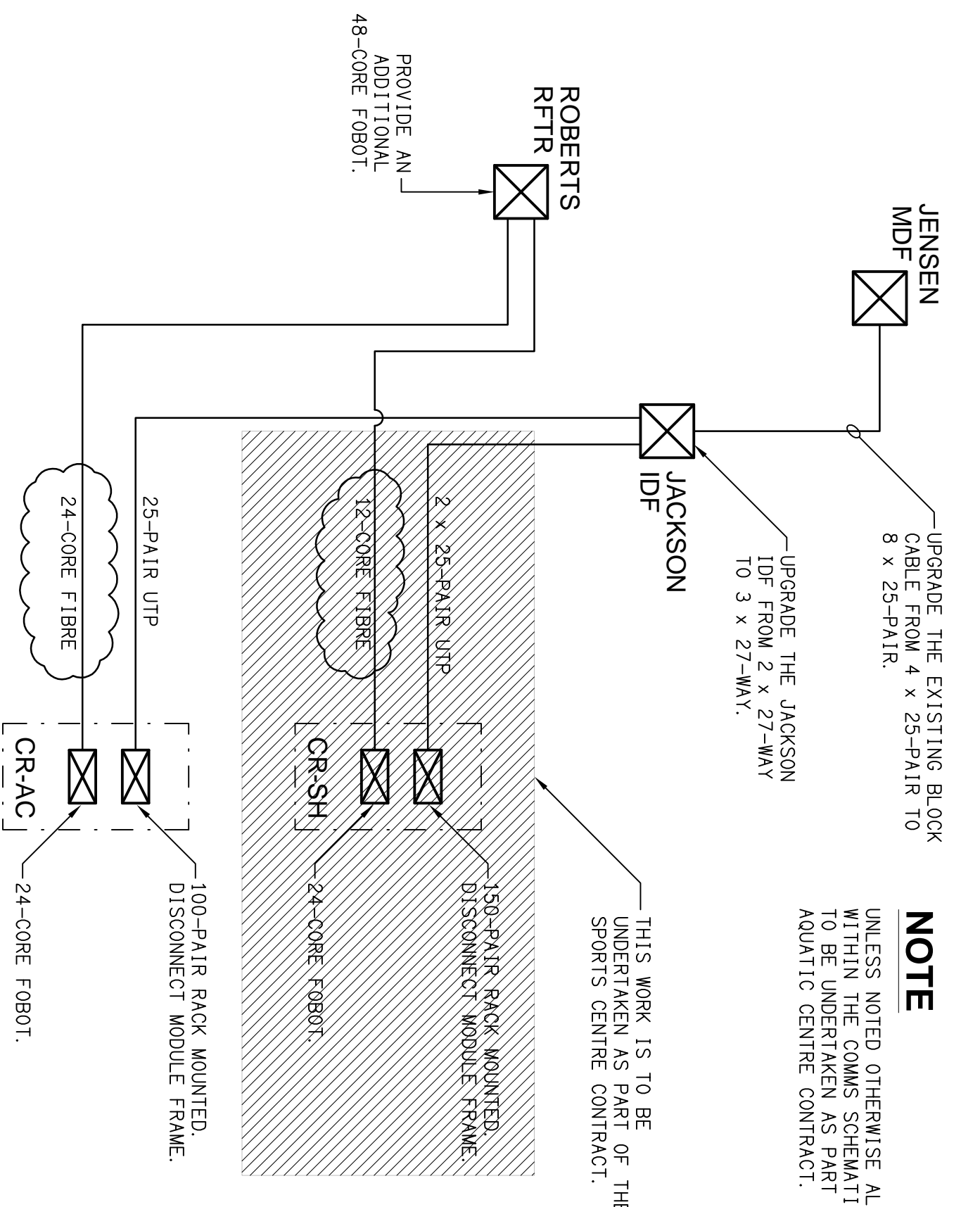
SCHEMATIC
 POWER CONFIGURATION
 NOT TO SCALE



SCHEMATIC
 ROBERTS MSB UPGRADE
 NOT TO SCALE



SCHEMATIC
 COMMUNICATIONS CONFIGURATION
 NOT TO SCALE



NOTE
 UNLESS NOTED OTHERWISE ALL WORK WITHIN THE COMMS SCHEMATIC IS TO BE UNDERTAKEN AS PART OF THE AQUATIC CENTRE CONTRACT.